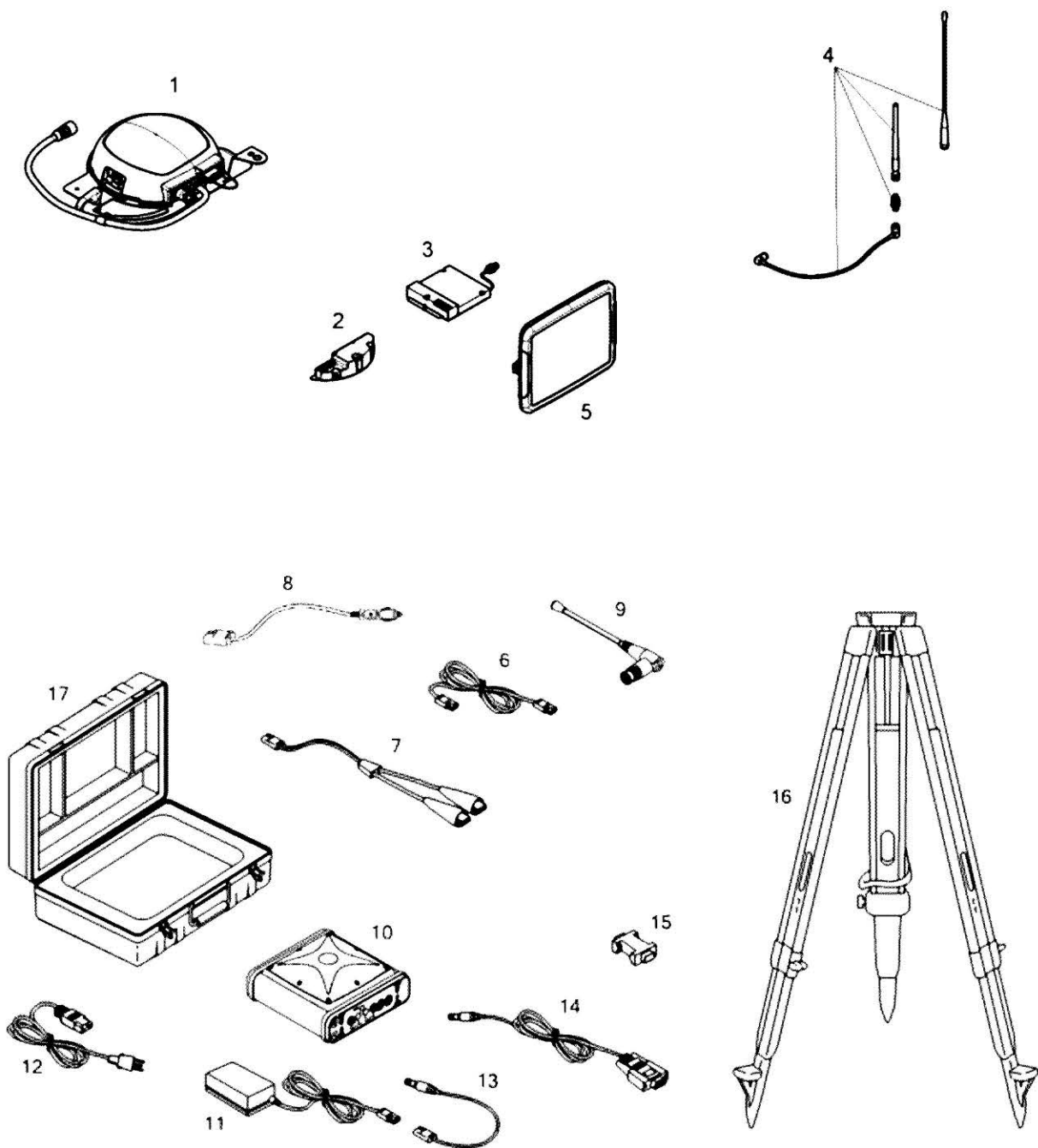


10526073 - AUTOGUIDE 3000 PREMIUM ACCURACY GUIDANCE - AND BASE STATION COMPONENTS	17-0001
581079D1 - AUTO GUIDANCE KIT APPLIES TO ALL E-SERIES TRACTORS WITH A 569934D1, 569934D2 OR 569934D3 CAB HARNESS,	17-0002
523004D1 - AUTO GUIDE CONTROL SWITCH	17-0003
530496D1 - AUTOGUIDE READY MOUNTING GROUP	17-0004
525415D1 - FIELD KIT, AUTOGUIDE MOUNTING	17-0005
554271D1 - ARTICULATION ANGLE SENSOR GROUP	17-0006
539306D1 - TELEMETRY ARRANGEMENT	17-0007
544708D1 - TELEMETRY INSTALLATION	17-0008
539315D1 - TELEMETRY INSTALLATION	17-0009
545082D1 - TELEMETRY HARDWARE GROUP	17-0010
602351D1 - GATEWAY READY GROUP - 2017 2017	17-0011
599577D1 - GATEWAY HARDWARE GROUP - 2017 2017	17-0012
599871D1 - FIELD ACCESSORIES, GATEWAY READY - 2017 FOR FIELD INSTALLATION	17-0013
602353D1 - FIELD ACCESSORIES, GATEWAY - HARDWARE 2017 FOR FIELD INSTALLATION	17-0014
596695D1 - ELECTRICAL ARRANGEMENT - GATEWAY 2017	17-0015
572471D1 - AGI4 TOPDOCK KIT	17-0016
554907D1 - TERMINAL INSTALLATION, C3000, AG3000	17-0017
583176D1 - TERMINAL INSTALLATION, C3000, AG3000 - 2016	17-0018
577267D1 - TERMINAL INSTALLATION, C3000 READY - FIELD INSTALLATION KIT	17-0019
550575D1 - PLUG INSTALLATION WITHOUT AUTOGUIDE	17-0020
509699D1 - GROUND SPEED SENSOR	17-0021
551066D1 - PLUG GROUP - NOT AUTOGUIDE READY	17-0022
578263D1 - RADAR GROUP, GROUND SPEED SENSOR	17-0023
572582D1 - MONITOR MOUNTING GROUP - 2016	17-0024
575940D1 - MONITOR HARNESS KIT - 2016	17-0025

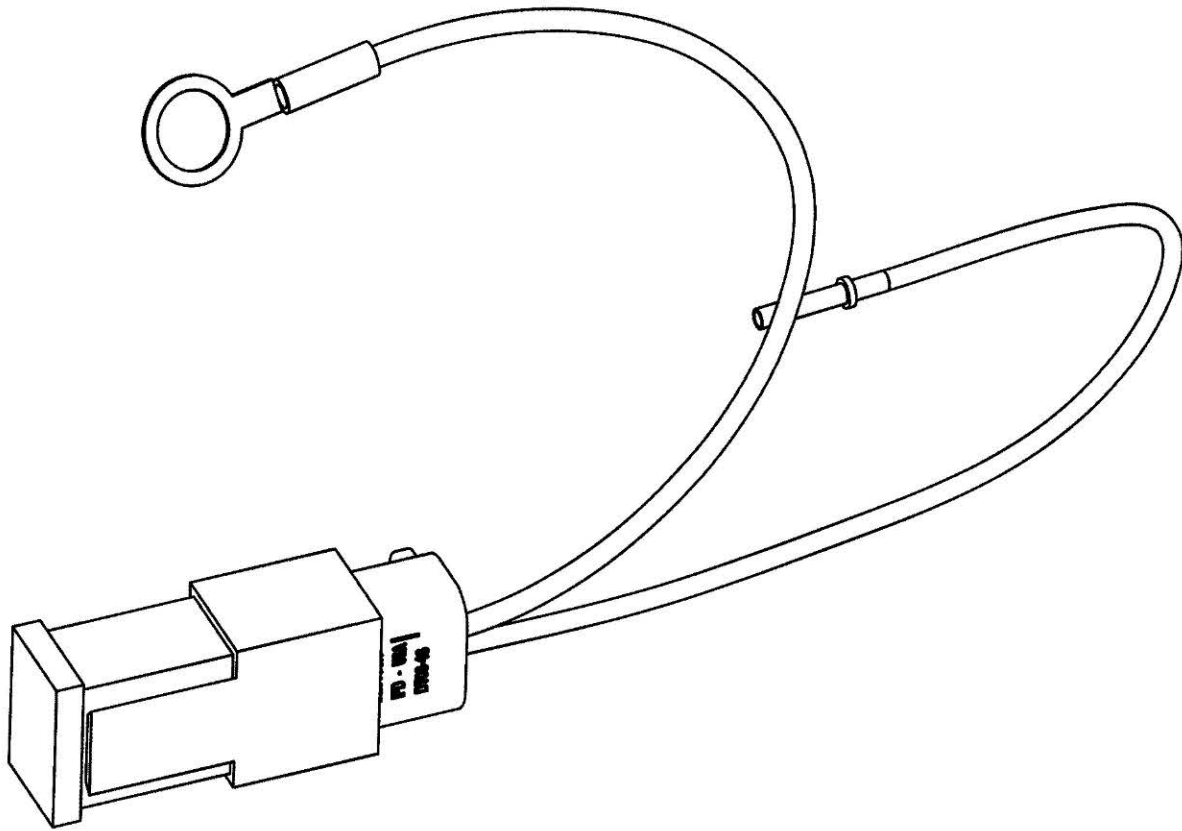
10526073



**10526073 - AUTOGUIDE 3000 PREMIUM ACCURACY GUIDANCE - AND BASE STATION COMPONENTS**

ITEM	PART NUMBER	QTY	DESCRIPTION COMMENTS	TECHNICAL SPECIFICATION
1	ACZ000039B	1	AGI-4 SUB METER KIT	
2	ACZ000038A	1	UNIT	IMU-AGI-4 SNAP-IN
3	ACZ000062B	1	AGI-4 RTK SNAP-IN MODULE 3G GSM RTK SNAP-IN MODULE	FH915 W/ H24 GSM
	ACZ0003630	1	AGI-4 RTK SNAP-IN MODULE 3G CDMA RTK SNAP-IN MODULE	FH915+ W/ CDMA
4	ACZ000174A	1	RTK ANTENNA KIT CONTAINS ACZ0000900, ACZ0000640, ACZ0000650 AND 72571157.	440-470 UHF W/GSM
	ACZ0000900	1	CABLE	RTK ANTENNA TNC-M
	ACZ0000640	1	ADAPTER	ANTENNA TNC BULKHEAD
	ACZ0000650	1	ANTENNA SHORT ONE IN PHOTO.	900MHZ RUBBER
	72571157	1	ANTENNA LONG ONE IN PHOTO.	435-470MHZ UHF
5	ACZ000000C	1	CONTROL CONSOLE MONITOR ONLY.	C3000
6	72571620	1	CABLE SAE TO SAE EXTENSION CABLE	
7	72571584	1	CABLE SAE TO ALLIGATOR CLIP POWER CABLE	
8	72571585	1	CABLE	HIPER POWER CIGAR PLUG
9	72571475	1	ANTENNA	HIPER AG 900 MHZ
10	ACZ0001100	1	HIPER AG RECEIVER	FH915+
11	72571582	1	POWER SUPPLY UNIT AC POWER SUPPLY UNIT	W/48" SAE CONN
12	72571577	1	POWER CABLE AC POWER SUPPLY	
13	72571583	1	CABLE	HIPER POWER RECEIVER TO SAE
14	72571474	1	CABLE SERIAL DB9 COMMUNICATIONS	
15	72486939	1	ADAPTER NOT INCLUDED IN HIPER BASE STATION KIT ACZ000119A	MODEM DB9 M-M
16	72451225	1	TRIPOD TRIPOD NOT INCLUDED IN HIPER BASE STATION KIT ACZ000119A	
17	72571588	1	CASE	SHIPPING-SINGLE HIPER

581079D1-1-AB192-

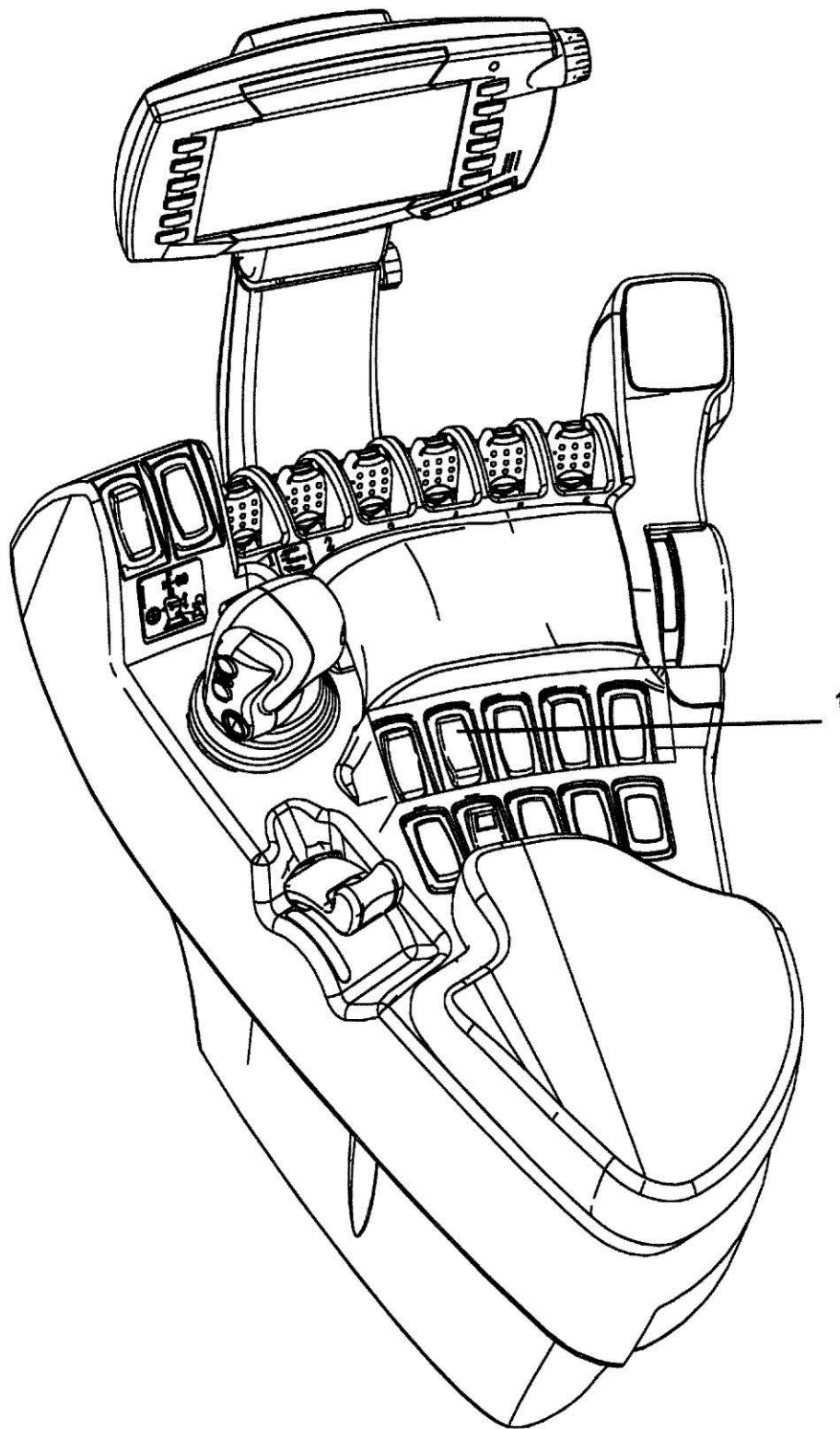


**581079D1 - AUTO GUIDANCE KIT**

---

ITEM	PART NUMBER	QTY	DESCRIPTION COMMENTS	TECHNICAL SPECIFICATION
	581078D1	1	<b>APPLIES TO ALL E-SERIES TRACTORS WITH A 569934D1, 569934D2 OR 569934D3 CAB HARNESS, WIRE HARNESS</b>	

523004D1-2-Y638

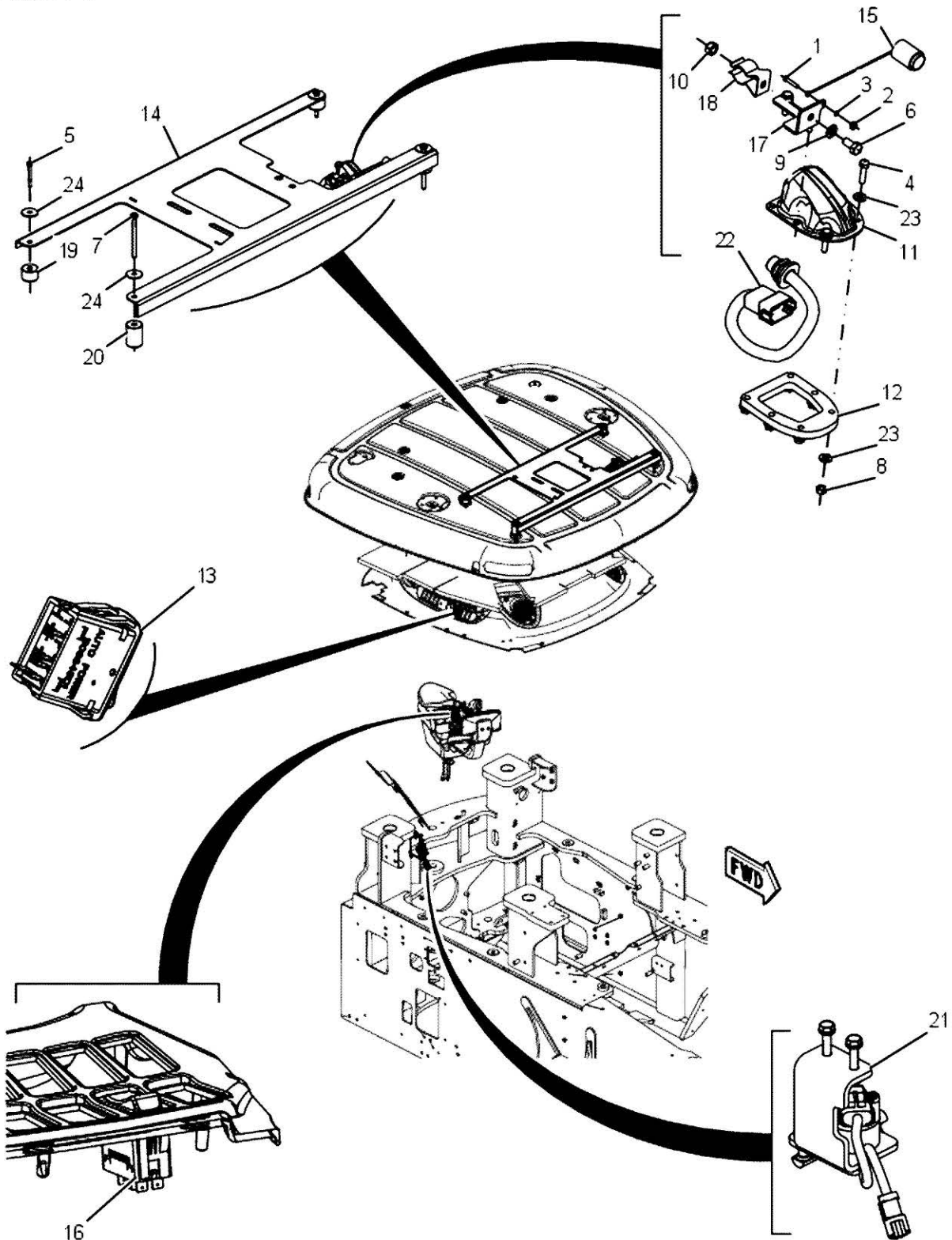


## 523004D1 - AUTO GUIDE CONTROL SWITCH

---

ITEM	PART NUMBER	QTY	DESCRIPTION COMMENTS	TECHNICAL SPECIFICATION
1	508329D1	1	AUTOGUIDE ROCKER SWITCH	

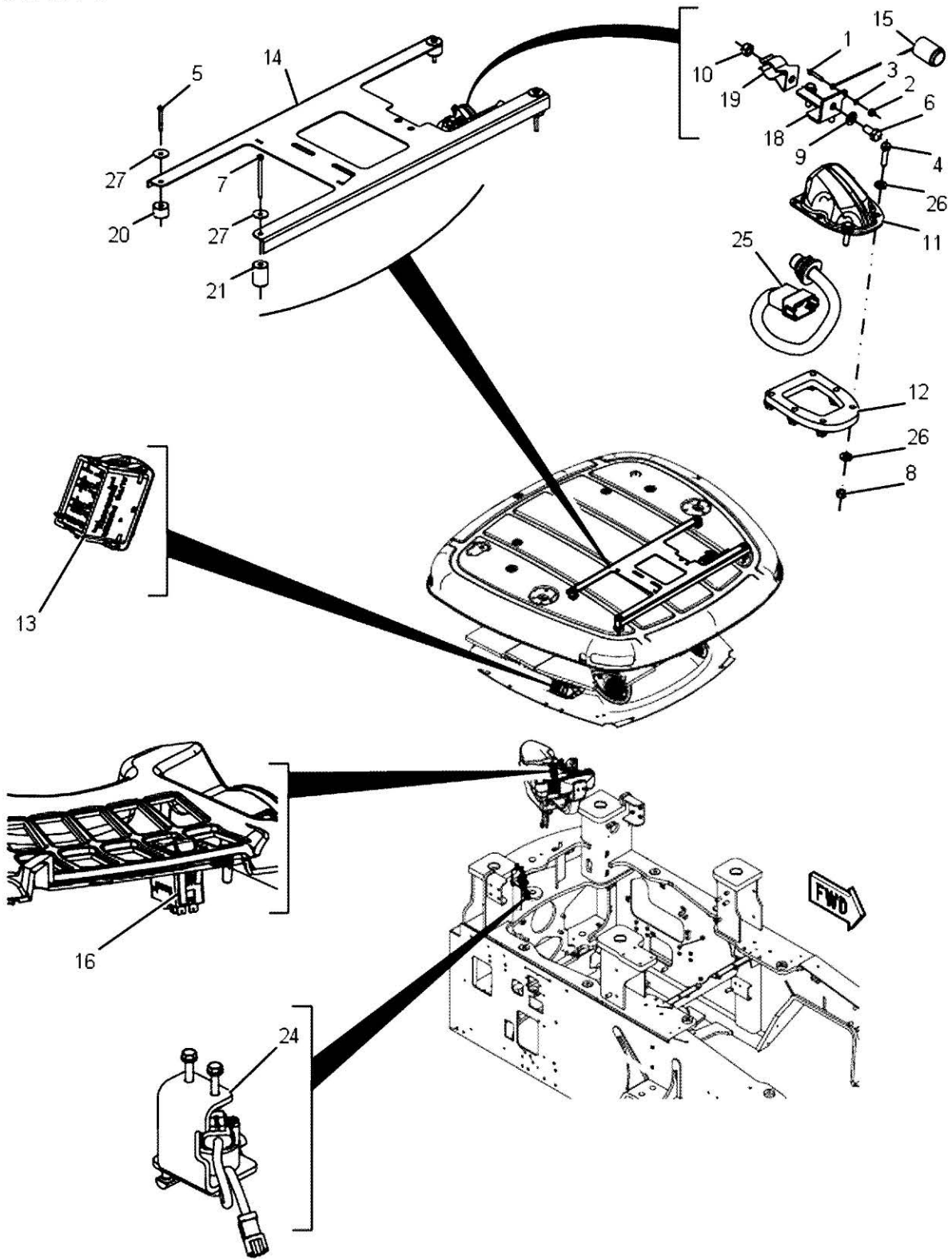
530496D1-9



**530496D1 - AUTOGUIDE READY MOUNTING GROUP**

ITEM	PART NUMBER	QTY	DESCRIPTION COMMENTS	TECHNICAL SPECIFICATION
1	AG517156	1	ROUND HEAD SCREW	#6-32 X 3/4"
2	AG517157	1	HEX NUT	#6-32, ZN
3	AG517159	1	LOCK WASHER	#6
4	400022X1	6	HEXAGONAL HEAD BOLT	M6 X 1 X 25MM, CL10.9
5	400068X1	2	HEXAGONAL HEAD BOLT	M8 X 1.25 X 70MM, CL10.9
6	400227X1	1	HEXAGONAL HEAD BOLT	M8X1.25 THD X 16 10.9
7	400233X1	2	HEXAGONAL HEAD BOLT	M10 X 1.5 X 130MM, CL10.9
8	400300X1	6	HEX NUT	M6 X 1
9	400339X1	1	FLAT WASHER	9MM X 16MM X 2MM
10	400340X1	1	HEX NUT	M8 X 1.25MM X 13MM
11	4290326M1	1	COVER	
12	4290333M1	1	SEAL	
13	508343D1	1	AUTOGUIDE POWER ROCKER SWITCH GUIDANCE SYSTEM SWITCH	
14	515237D1	1	BRACKET	
15	520557D1	1	ELECTRICAL PLUG CAP	
16	523004D1	1	SWITCH SEE PAGE 17-0003	GP-GUIDANCE
17	526647D1	1	BRACKET	
18	4276502M1	1	CLIP	
19	547966D2	2	SPACER	
20	547967D2	2	SPACER	
21	554271D1	1	SENSOR ARTICULATION ANGLE SENSOR	GP
22	573375D1	1	WIRE HARNESS	
23	CH8T-4205	10	FLAT WASHER	7.2MM X 14.5MM X 2MM
24	CH8T-4226	4	FLAT WASHER	10.5MM X 45MM X 3MM

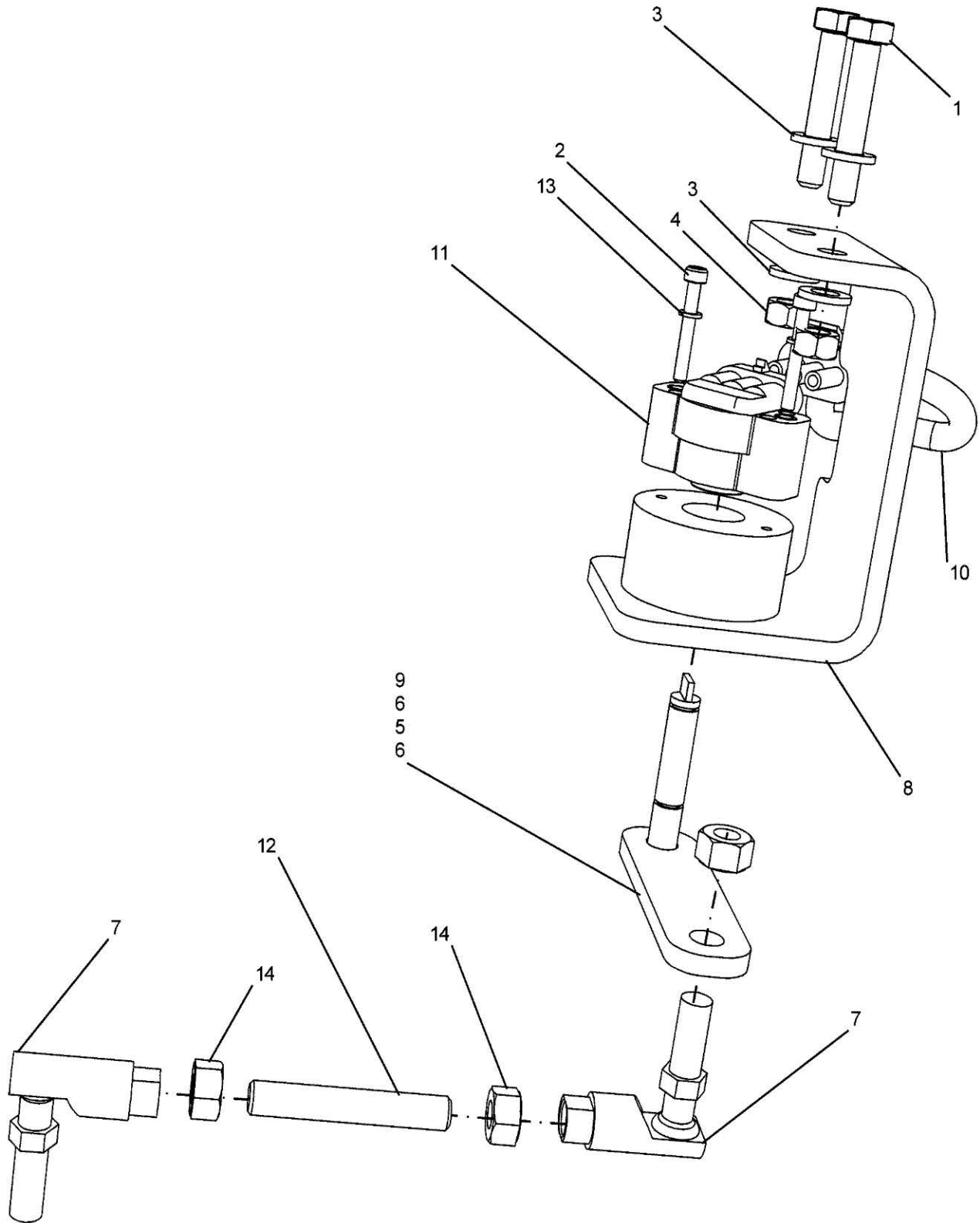
525415D1-9



**525415D1 - FIELD KIT, AUTOGUIDE MOUNTING**

ITEM	PART NUMBER	QTY	DESCRIPTION COMMENTS	TECHNICAL SPECIFICATION
1	AG517156	1	ROUND HEAD SCREW	#6-32 X 3/4"
2	AG517157	1	HEX NUT	#6-32, ZN
3	AG517159	1	LOCK WASHER	#6
4	400022X1	6	HEXAGONAL HEAD BOLT	M6 X 1 X 25MM, CL10.9
5	400068X1	2	HEXAGONAL HEAD BOLT	M8 X 1.25 X 70MM, CL10.9
6	400227X1	1	HEXAGONAL HEAD BOLT	M8X1.25 THD X 16 10.9
7	400233X1	2	HEXAGONAL HEAD BOLT	M10 X 1.5 X 130MM, CL10.9
8	400300X1	6	HEX NUT	M6 X 1
9	400339X1	1	FLAT WASHER	9MM X 16MM X 2MM
10	400340X1	1	HEX NUT	M8 X 1.25MM X 13MM
11	4290326M1	1	COVER	
12	4290333M1	1	SEAL	
13	508343D1	1	AUTOGUIDE POWER ROCKER SWITCH	
14	515237D1	1	BRACKET	
15	520557D1	1	ELECTRICAL PLUG CAP	
16	523004D1	1	SWITCH	GP-GUIDANCE
	508329D1	1	AUTOGUIDE ROCKER SWITCH	
18	526647D1	1	BRACKET	
19	526648D1	1	MOUNTING CLIP	
20	547966D2	2	SPACER	
21	547967D2	2	SPACER	
24	554271D1	1	SENSOR SEE PAGE 17-0006	GP
25	573375D1	1	WIRE HARNESS	
26	CH8T-4205	10	FLAT WASHER	7.2MM X 14.5MM X 2MM
27	CH8T-4226	4	FLAT WASHER	10.5MM X 45MM X 3MM

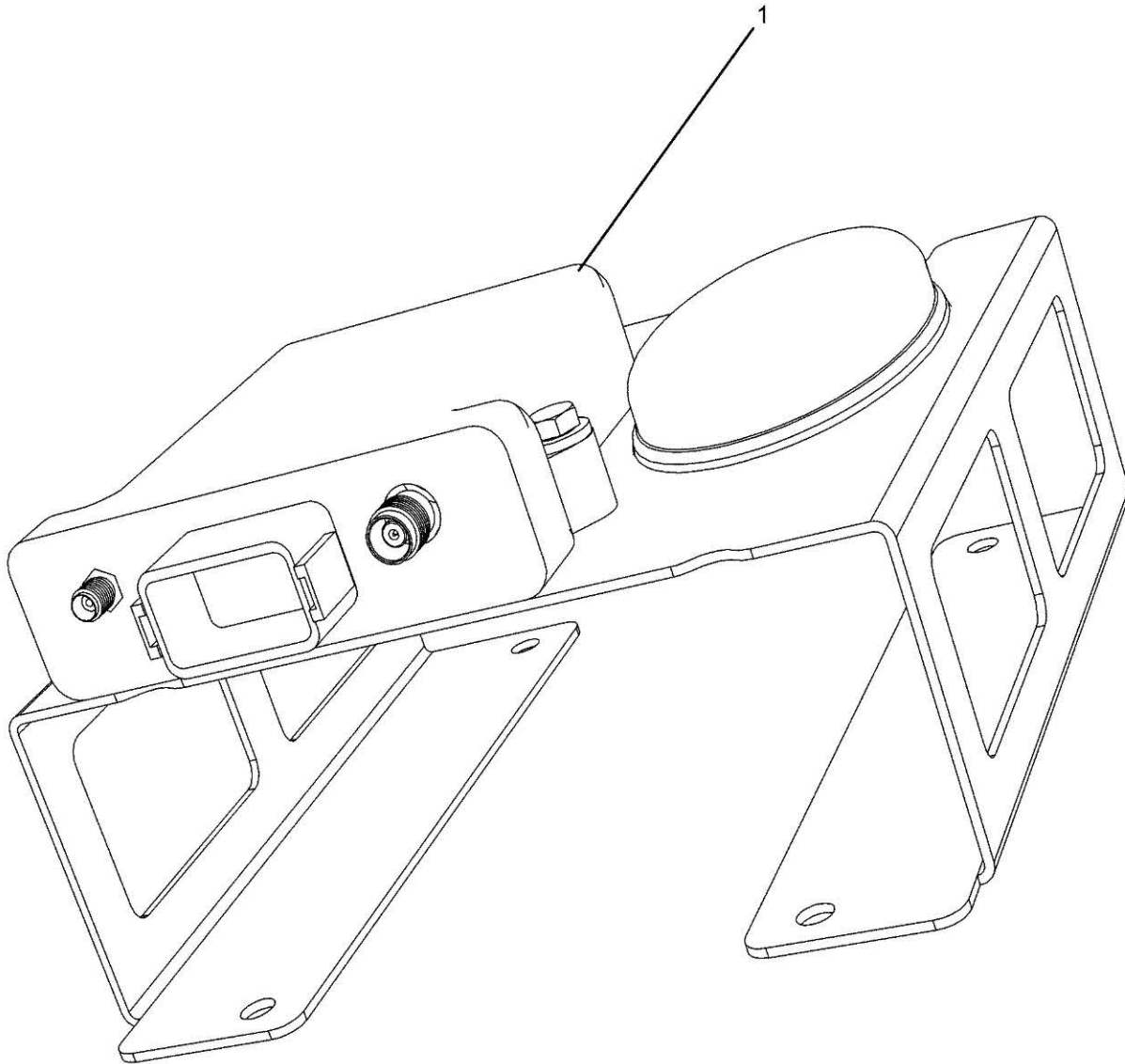
554271D1-2-Z202



**554271D1 - ARTICULATION ANGLE SENSOR GROUP**

ITEM	PART NUMBER	QTY	DESCRIPTION COMMENTS	TECHNICAL SPECIFICATION
1	400024X1	2	HEXAGONAL HEAD BOLT	M8 X 1.25 X 45MM, CL10.9
2	400132X1	2	BOLT	M4 X 0.7 X 30MM, CL12.9
3	400339X1	4	FLAT WASHER	9MM X 16MM X 2MM
4	400340X1	2	HEX NUT	M8 X 1.25MM X 13MM
5	511702D1	2	BUSHING	9.53MM ID X 12.6MM OD
6	512734D1	2	CLIP RETAINING RIN	E RETAINING RING
7	526283D1	2	BALL JOINT	3/8-24
8	554263D2	1	SENSOR BRACKET	
9	554265D1	1	PIN	SENSOR
10	554268D1	1	HARNESS	JUMPER
11	558005D1	1	POSITION SENSOR	ANGULAR 120 DEG
12	558006D1	1	ROD	3/8-24 THD X 60MM
13	CH3B-4501	2	LOCK WASHER	APPX. 4.33MM ID X 1.02MM
14	CH6V-8183	3	HEX NUT	3/8"-24

539306D1-01-W356

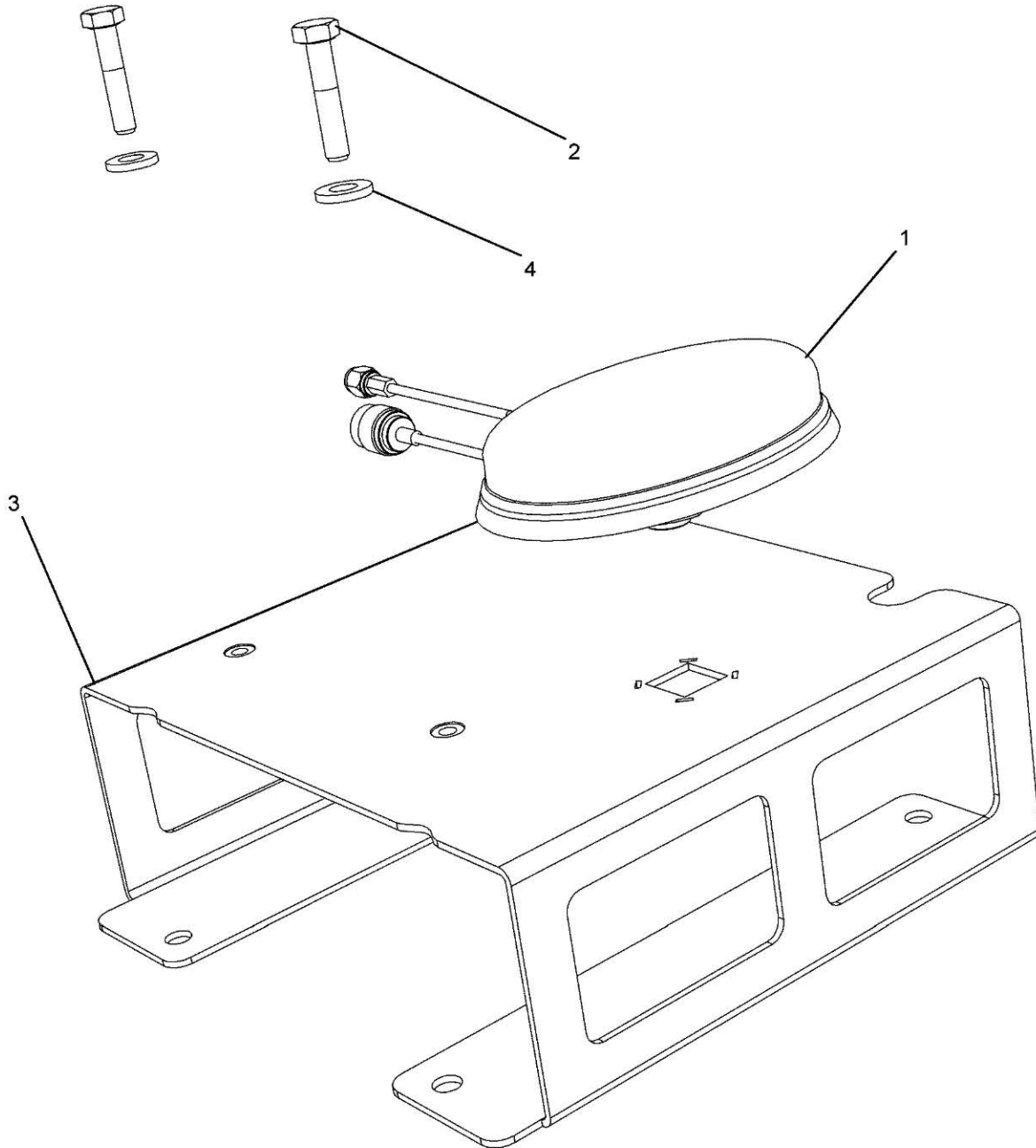


## 539306D1 - TELEMETRY ARRANGEMENT

---

ITEM	PART NUMBER	QTY	DESCRIPTION COMMENTS	TECHNICAL SPECIFICATION
1	NS	1	NON-SERVICEABLE PART SEE PAGE 17-0009	

544708D1-2-Y360

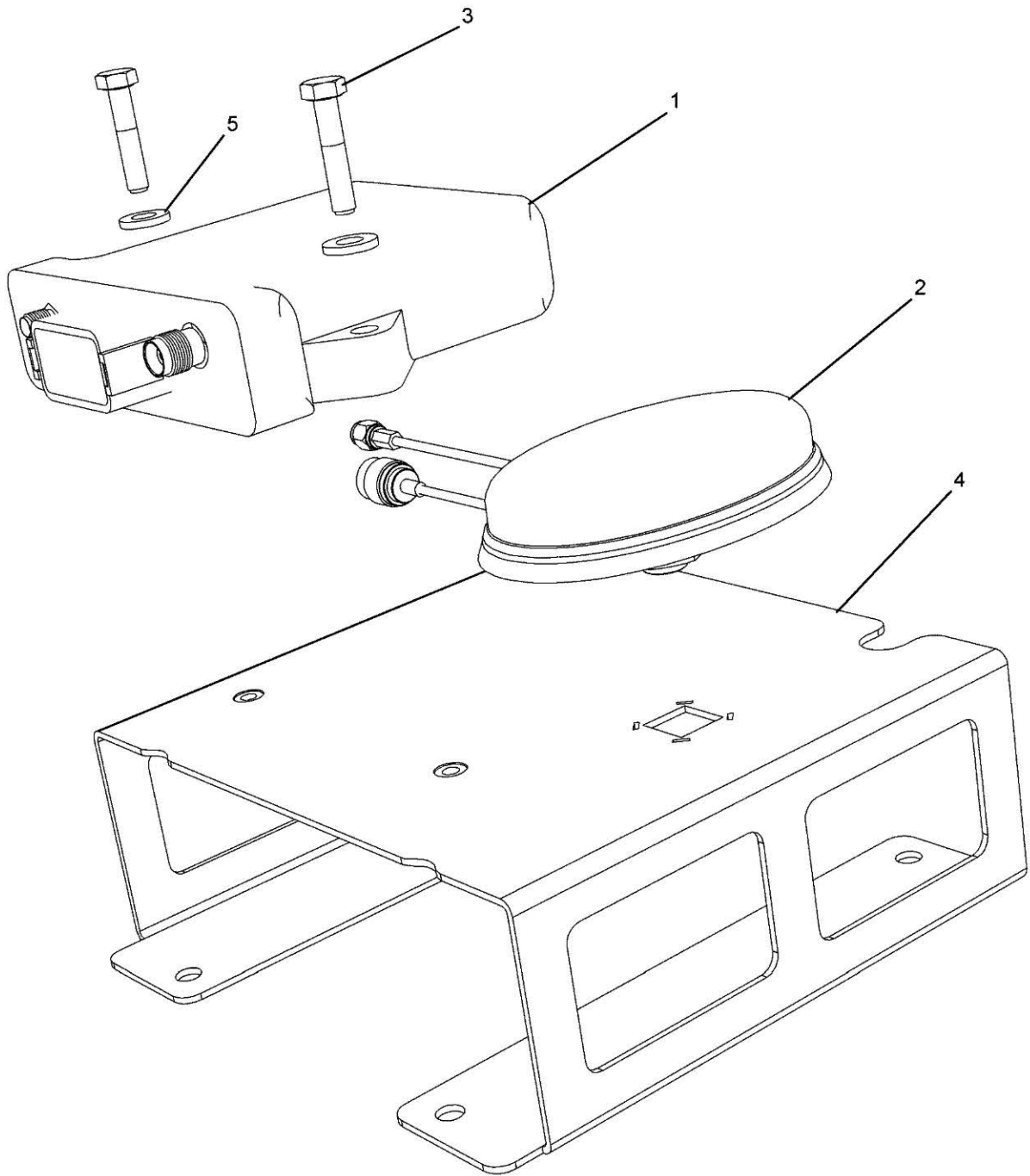


## 544708D1 - TELEMETRY INSTALLATION

---

ITEM	PART NUMBER	QTY	DESCRIPTION COMMENTS	TECHNICAL SPECIFICATION
1	72571517	1	TELEMETRY ANTENNA	
2	400065X1	2	HEXAGONAL HEAD BOLT	M6 X 1 X 30MM, CL10.9
3	551061D1	1	MOUNTING BRACKET	
4	CH8T-4205	2	FLAT WASHER	7.2MM X 14.5MM X 2MM

539315D1-3-Y424

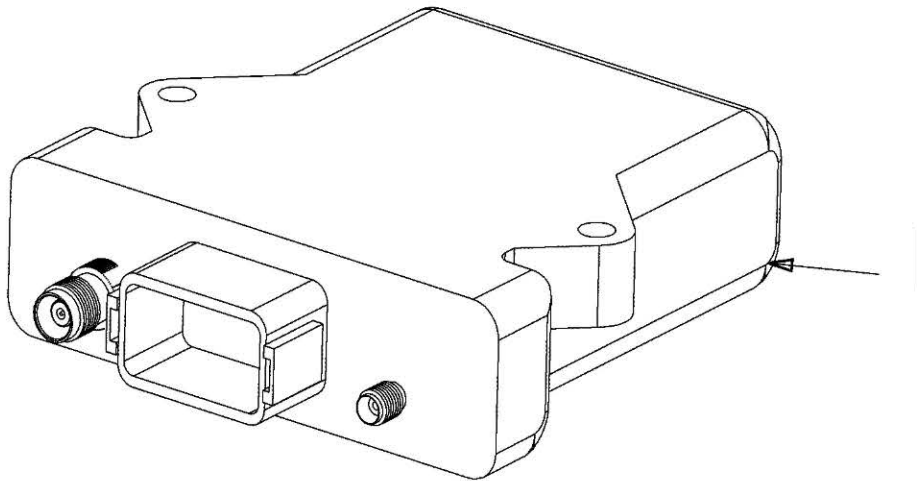


## 539315D1 - TELEMETRY INSTALLATION

---

ITEM	PART NUMBER	QTY	DESCRIPTION COMMENTS	TECHNICAL SPECIFICATION
1	ACZ000181A	1	TELEMETRY MODULE	AM53
2	72571517	1	TELEMETRY ANTENNA	
3	400065X1	2	HEXAGONAL HEAD BOLT	M6 X 1 X 30MM, CL10.9
4	551061D1	1	MOUNTING BRACKET	
5	CH8T-4205	2	FLAT WASHER	7.2MM X 14.5MM X 2MM

545082D1-2-Y424

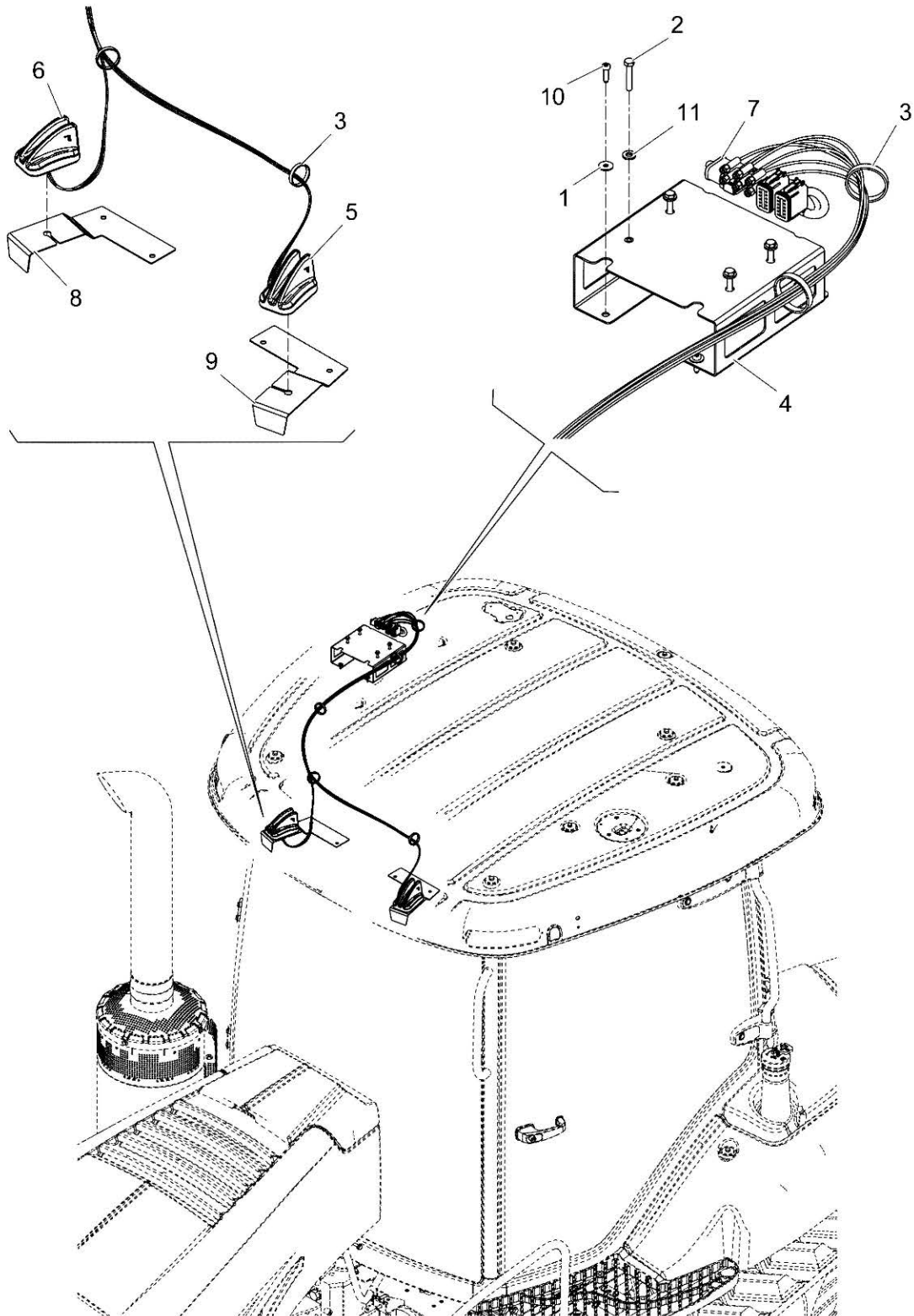


**545082D1 - TELEMTRY HARDWARE GROUP**

---

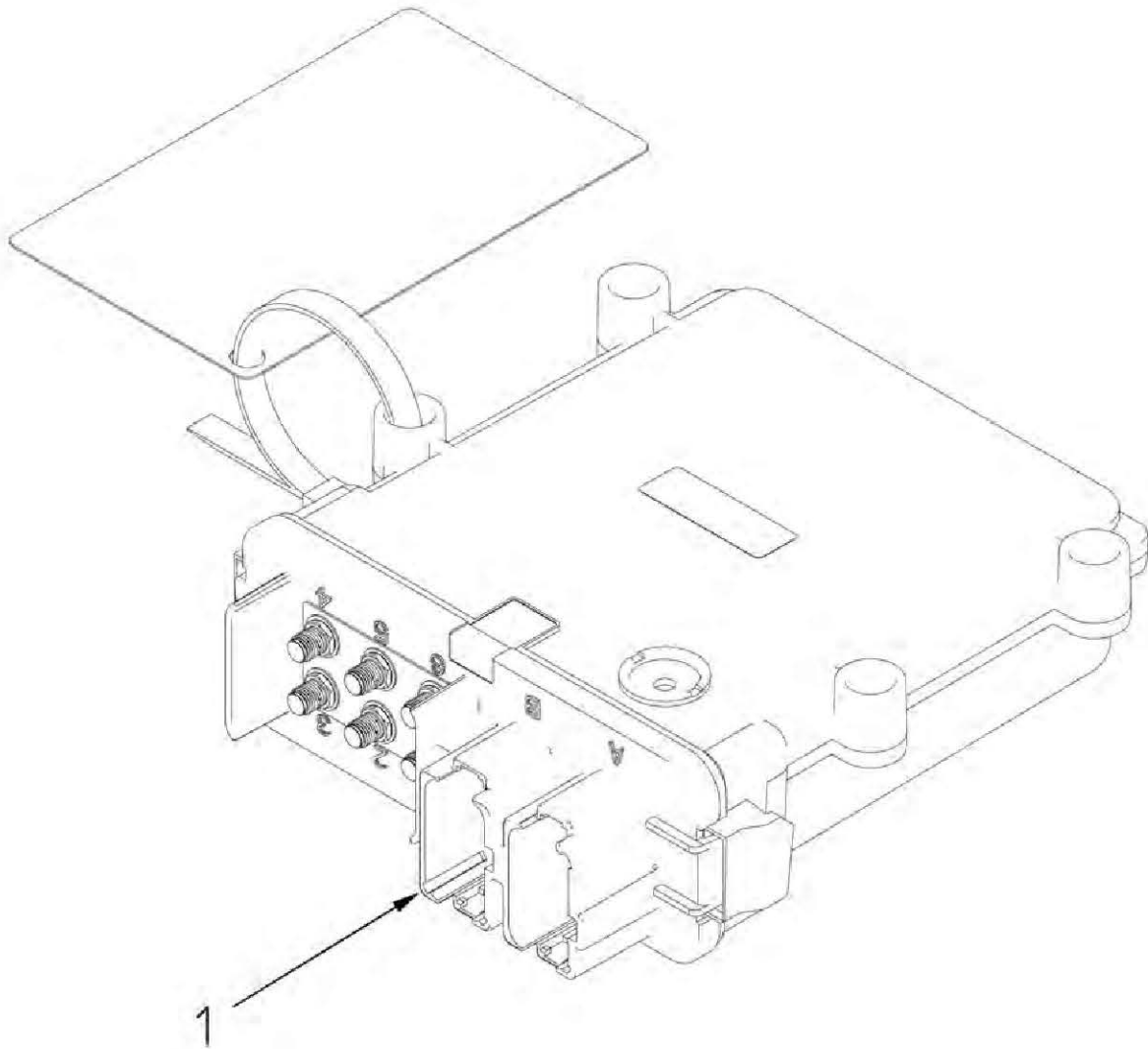
ITEM	PART NUMBER	QTY	DESCRIPTION COMMENTS	TECHNICAL SPECIFICATION
1	ACZ000163A	1	TELEMTRY MODULE	AM53

602351D1-1-



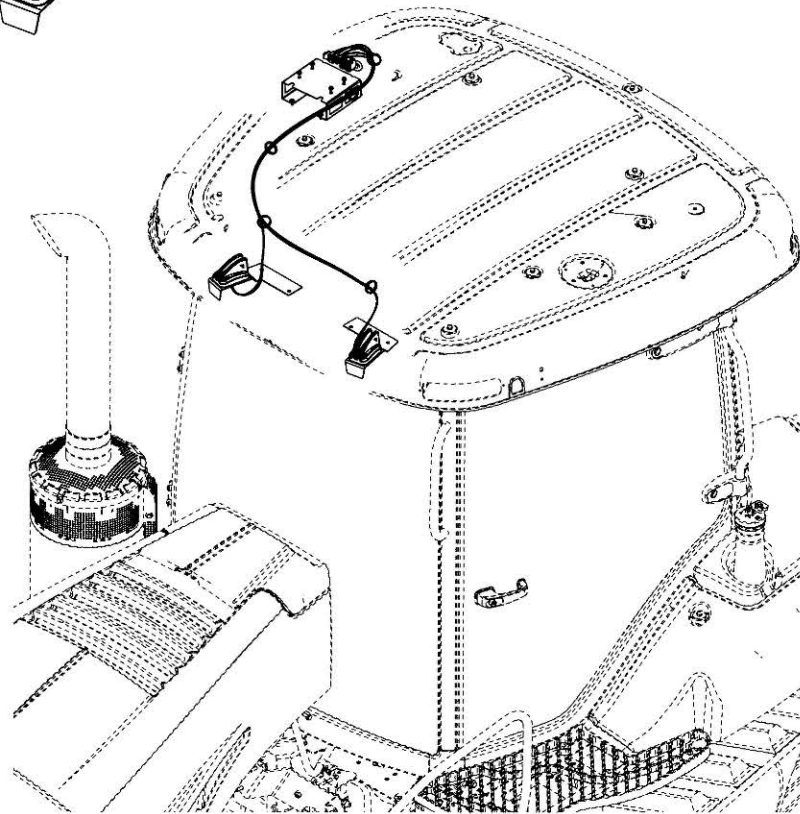
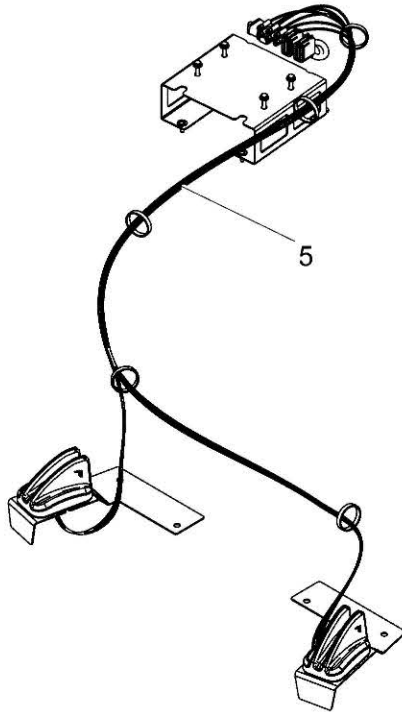
ITEM	PART NUMBER	QTY	DESCRIPTION COMMENTS	TECHNICAL SPECIFICATION
<b>2017</b>				
1	400076X1	4	FLAT WASHER	5IDX16ODX1.2MM ZN
2	400185X1	4	HEX SOCKET HEAD BOLT	M6 X 1 X 35MM, CL10.9
3	402294X1	5	CABLE TIE	390MM X 7.6MM
4	586981D1	1	MOUNTING BRACKET	
5	590002D1	1	ANTENNA	433MHZ
6	590003D1	1	ANTENNA	
7	597701D1	1	WIRE HARNESS	
8	597703D1	1	MOUNTING PLATE	RH
9	598556D1	1	MOUNTING PLATE	LH
10	CH110-2028	4	TORX HEAD SCREW	#10-14 X 19MM
11	CH8T-4205	4	FLAT WASHER	7.2MM X 14.5MM X 2MM

599577D1-1



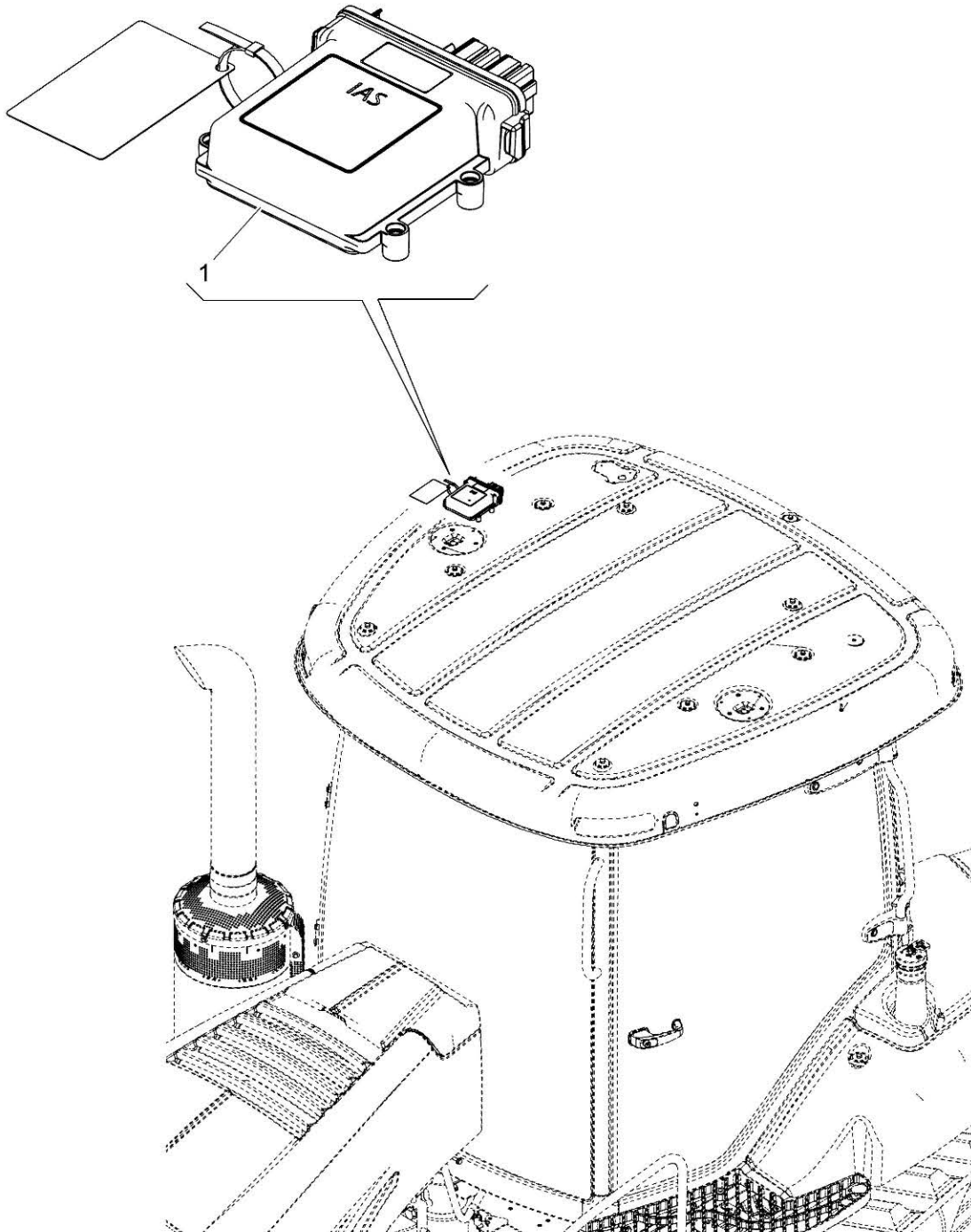
ITEM	PART NUMBER	QTY	DESCRIPTION COMMENTS	TECHNICAL SPECIFICATION
1	605000D1	1	2017 CONTROL MODULE	

599871D1-2-



ITEM	PART NUMBER	QTY	DESCRIPTION COMMENTS	TECHNICAL SPECIFICATION
5	NS	1	<b>FOR FIELD INSTALLATION</b> NON-SERVICEABLE PART SEE PAGE 17-0011	

602353D1-1-

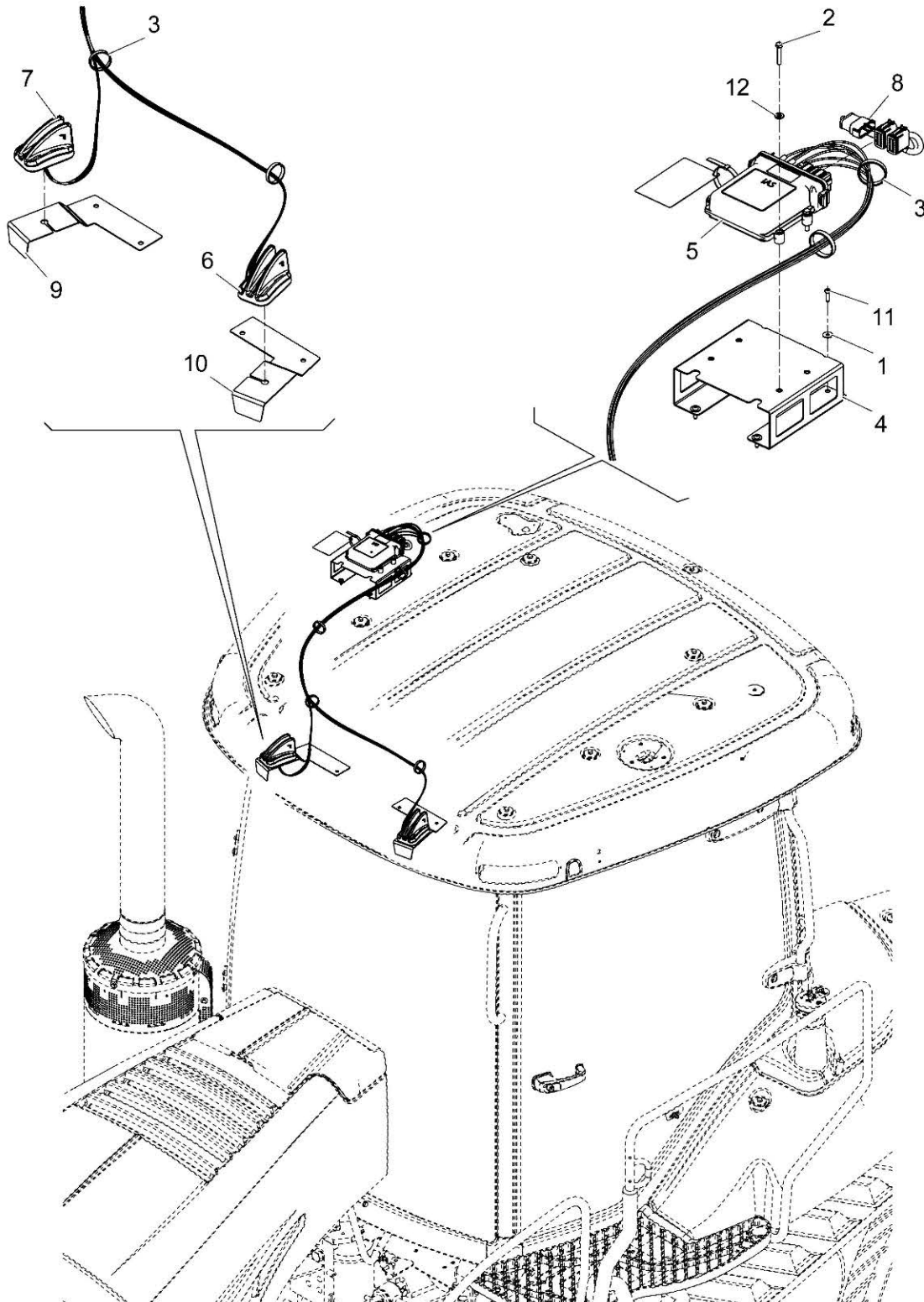


**602353D1 - FIELD ACCESSORIES, GATEWAY - HARDWARE**

---

ITEM	PART NUMBER	QTY	DESCRIPTION COMMENTS	TECHNICAL SPECIFICATION
1	NS	1	2017 FOR FIELD INSTALLATION NON-SERVICEABLE PART SEE PAGE 17-0012	

596695D1-2-

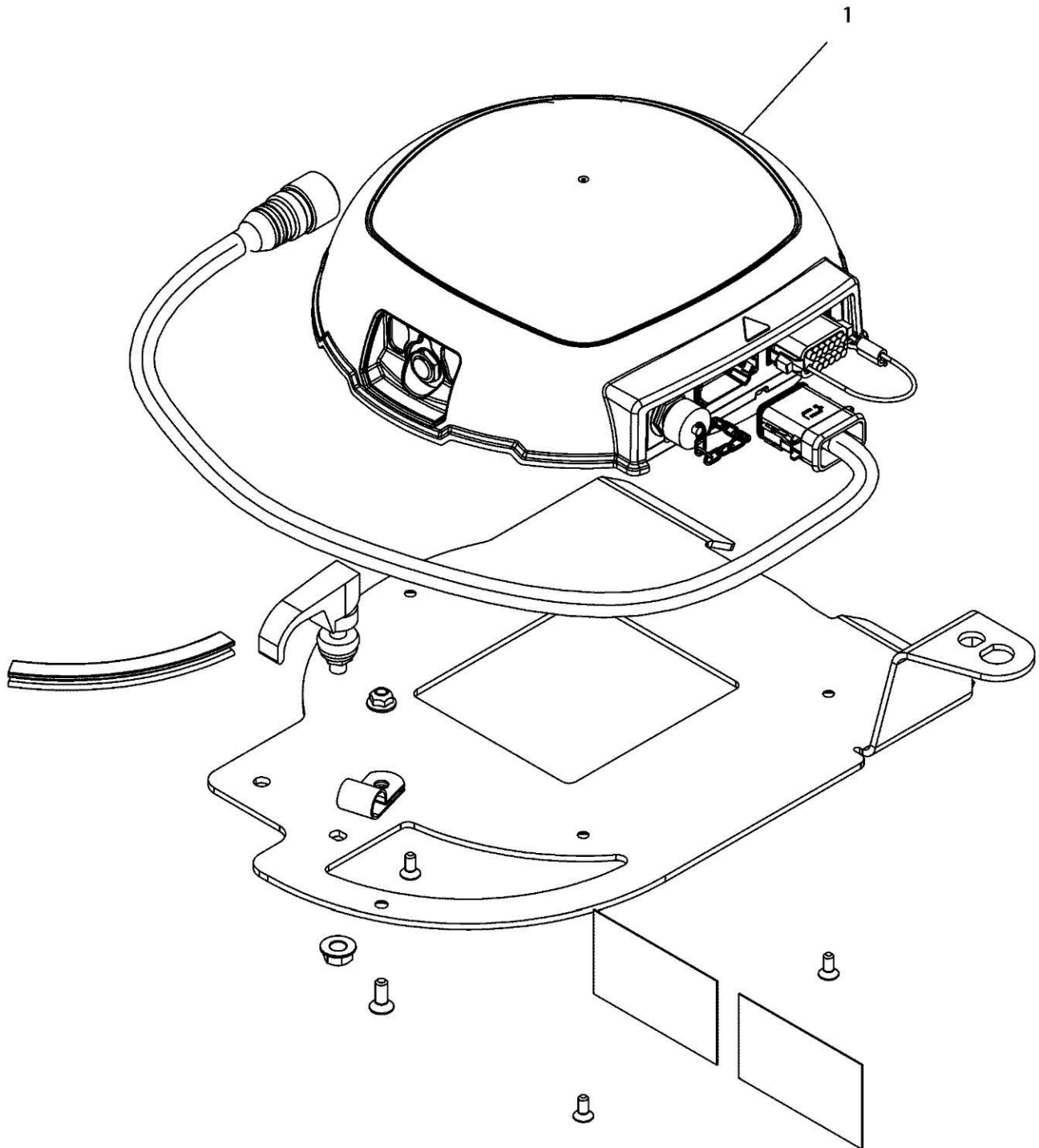


**596695D1 - ELECTRICAL ARRANGEMENT - GATEWAY**

---

ITEM	PART NUMBER	QTY	DESCRIPTION COMMENTS	TECHNICAL SPECIFICATION
			<b>2017</b>	
1	400076X1	4	FLAT WASHER	5IDX16ODX1.2MM ZN
2	400185X1	4	HEX SOCKET HEAD BOLT	M6 X 1 X 35MM, CL10.9
3	402294X1	5	CABLE TIE	390MM X 7.6MM
4	605000D1	1	CONTROL MODULE	
5	590001D1	1	CONTROL UNIT	
6	590002D1	1	ANTENNA	433MHZ
7	590003D1	1	ANTENNA	
8	597701D1	1	WIRE HARNESS	
9	597703D1	1	MOUNTING PLATE	RH
10	598556D1	1	MOUNTING PLATE	LH
11	CH110-2028	1	TORX HEAD SCREW	#10-14 X 19MM
12	CH8T-4205	4	FLAT WASHER	7.2MM X 14.5MM X 2MM

572471D1-01-AA503-01

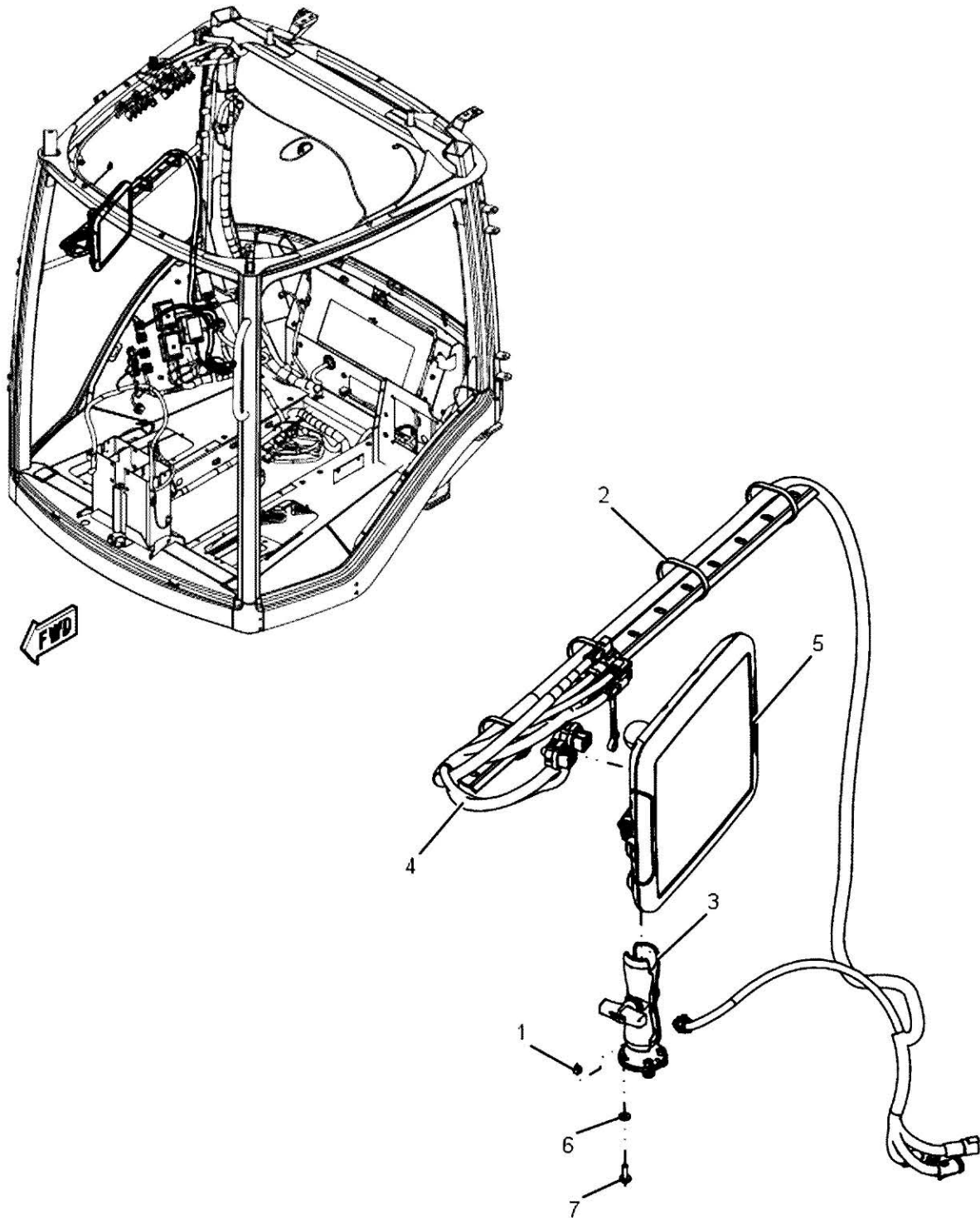


**572471D1 - AGI4 TOPDOCK KIT**

---

ITEM	PART NUMBER	QTY	DESCRIPTION COMMENTS	TECHNICAL SPECIFICATION
	572471D1	1	AUTO-GUIDE KIT	AGI-4
1	ACZ000039B	1	AGI-4 SUB METER KIT	

554907D1-6

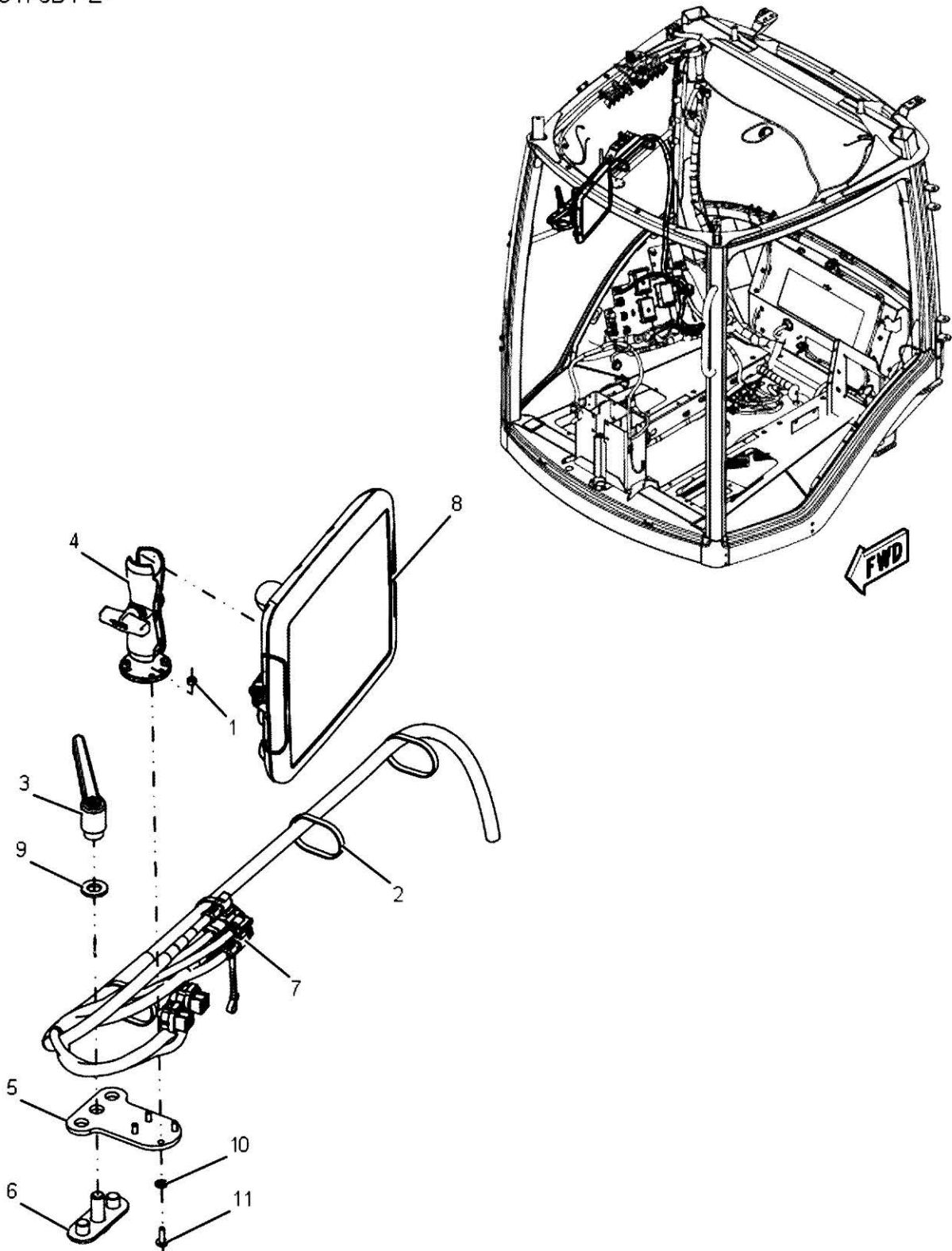


**554907D1 - TERMINAL INSTALLATION, C3000, AG3000**

---

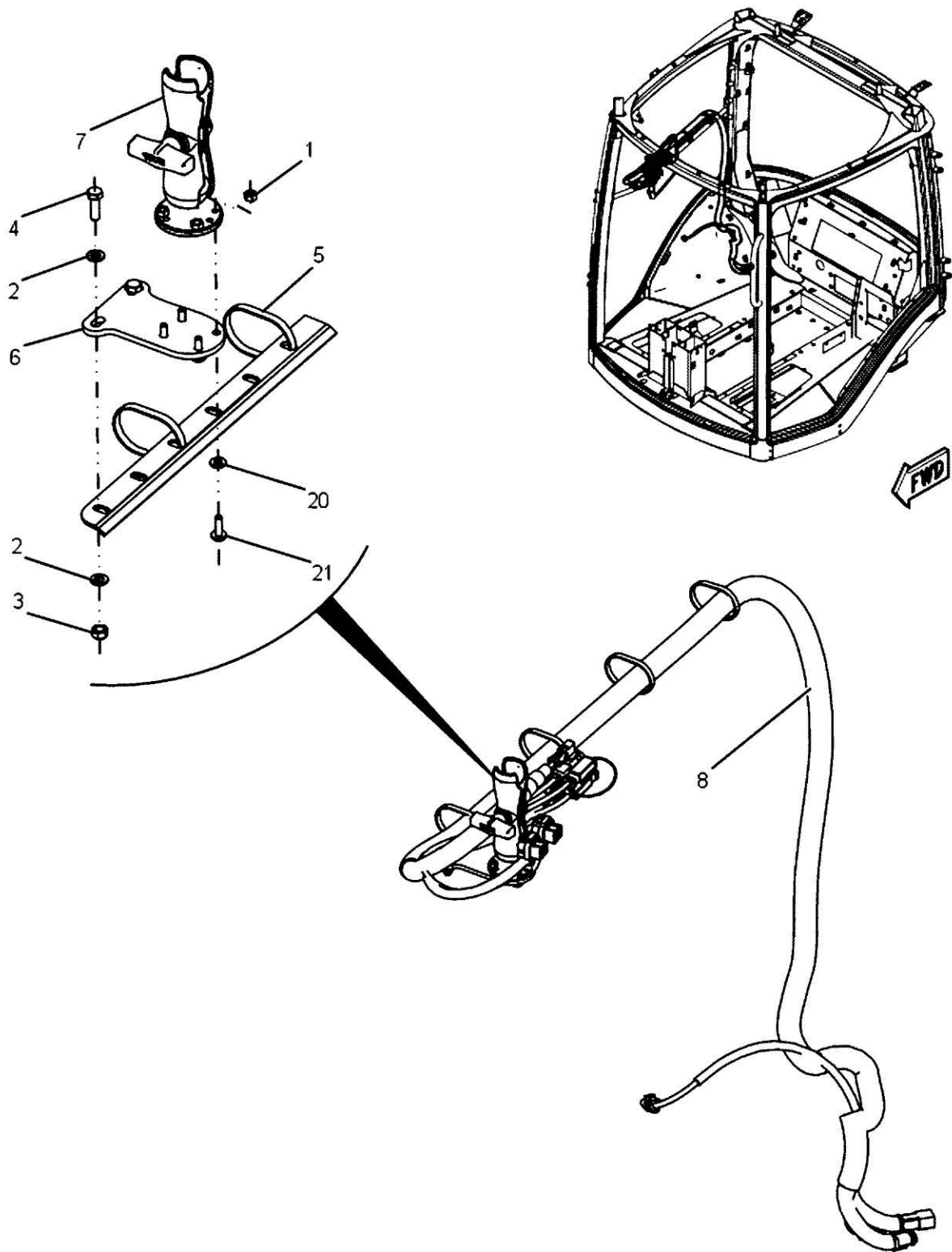
ITEM	PART NUMBER	QTY	DESCRIPTION COMMENTS	TECHNICAL SPECIFICATION
1	400300X1	4	HEX NUT	M6 X 1
2	402294X1	4	CABLE TIE	390MM X 7.6MM
3	524335D1	1	SOCKET ARM	
4	573371D1	1	WIRE HARNESS	
5	ACZ000000C	1	CONTROL CONSOLE SERIAL NUMBER BREAKS FIRST USED ON: CO755 / CO765 / C0775 CO845 / CO855 / CO865 / CO875 CO955 / CO965 / CO975	C3000
6	CH8T-4205	4	FLAT WASHER	7.2MM X 14.5MM X 2MM
7	CH9X-2045	4	TORX HEAD SCREW	M6 X 1 X 20MM, T30

583176D1-2-



ITEM	PART NUMBER	QTY	DESCRIPTION COMMENTS	TECHNICAL SPECIFICATION
1	400300X1	4	HEX NUT	M6 X 1
2	402294X1	4	CABLE TIE	390MM X 7.6MM
3	500854D1	1	ADJUSTMENT LEVER	
4	524335D1	1	SOCKET ARM	
5	572575D1	1	PLATE	
6	572578D1	1	GUIDE PLATE	
7	573371D1	1	WIRE HARNESS	
8	ACZ000000C	1	CONTROL CONSOLE SERIAL NUMBER BREAKS MODELS FIRST USED ON: CO755 / CO765 / CO775 CO845 / CO855 / CO865 / CO875 CO955 / CO965 / CO975	C3000
9	CH5P-8247	1	FLAT WASHER	17MM ID X 32MM OD X 3.5MM
10	CH8T-4205	4	FLAT WASHER	7.2MM X 14.5MM X 2MM
11	CH9X-2045	4	TORX HEAD SCREW	M6 X 1 X 20MM, T30

577267D1-2-

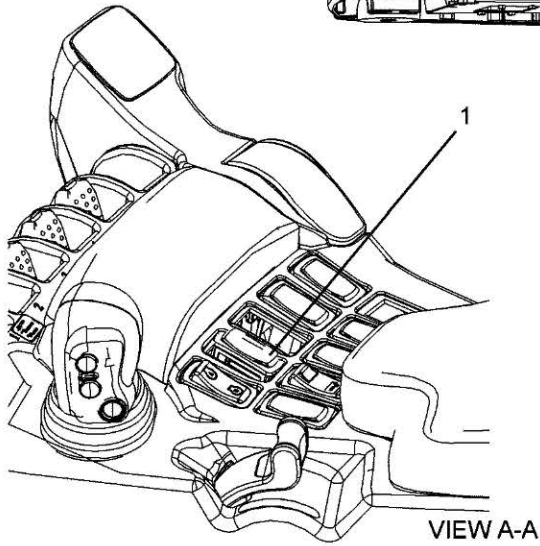
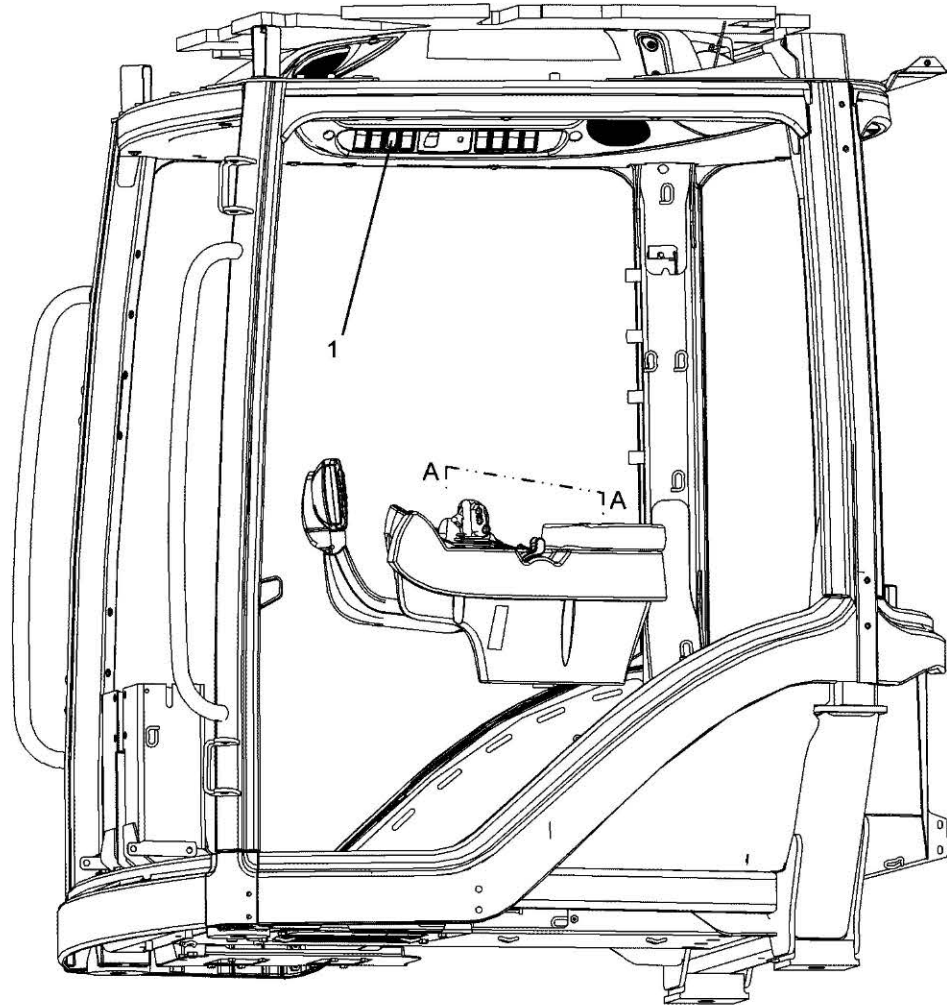


**577267D1 - TERMINAL INSTALLATION, C3000 READY - FIELD INSTALLATION KIT**

---

ITEM	PART NUMBER	QTY	DESCRIPTION COMMENTS	TECHNICAL SPECIFICATION
1	400300X1	4	HEX NUT	M6 X 1
2	400339X1	4	FLAT WASHER	9MM X 16MM X 2MM
3	400340X1	2	HEX NUT	M8 X 1.25MM X 13MM
4	400341X1	2	HEXAGONAL HEAD BOLT	M8 X 1.25 X 25MM
5	402294X1	4	CABLE TIE	390MM X 7.6MM
6	508850D1	1	PLATE	
7	524335D1	1	SOCKET ARM	
8	573371D1	1	WIRE HARNESS	
20	CH8T-4205	4	FLAT WASHER	7.2MM X 14.5MM X 2MM
21	CH9X-2045	4	TORX HEAD SCREW	M6 X 1 X 20MM, T30

550575D1-1-Y368

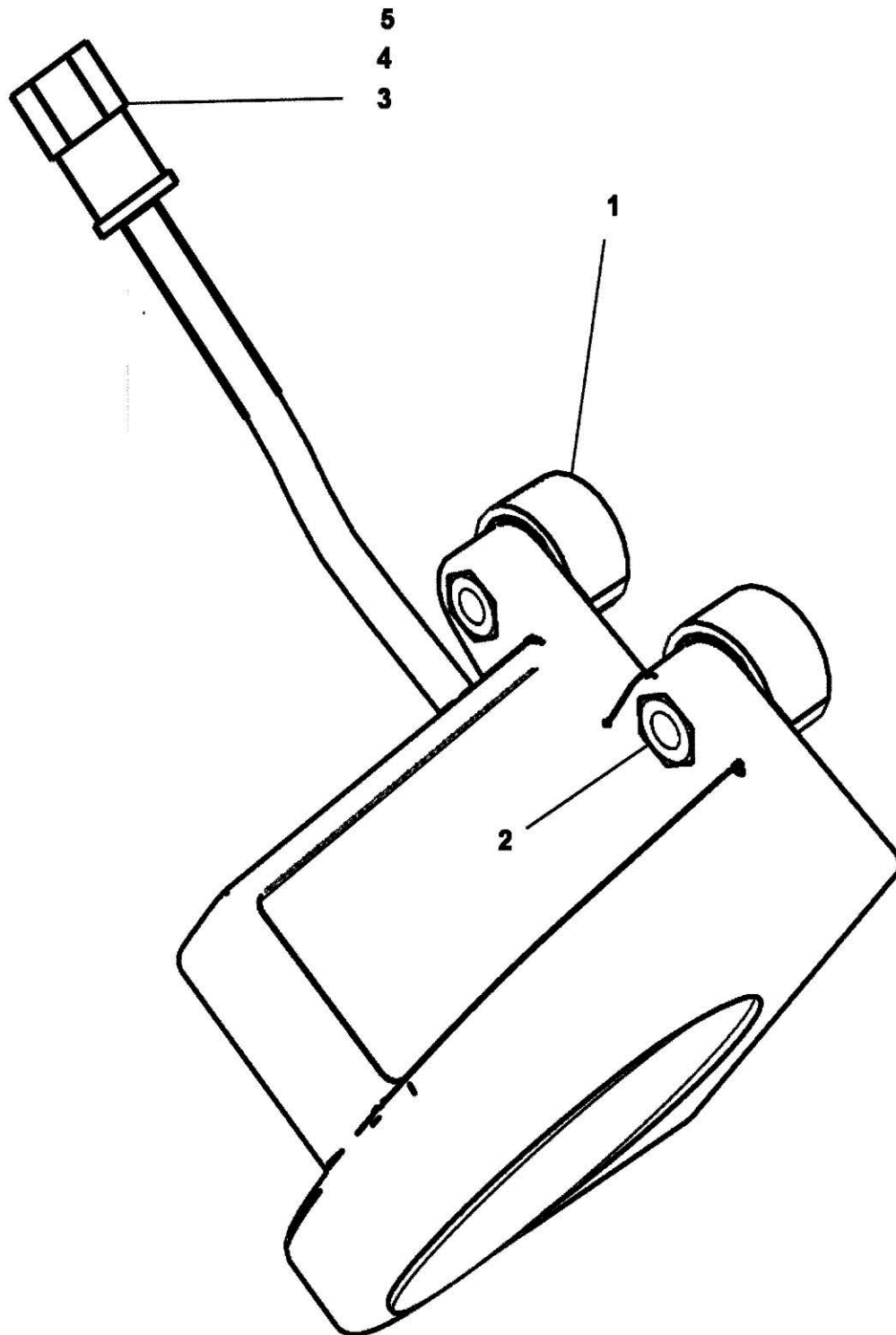


## 550575D1 - PLUG INSTALLATION WITHOUT AUTOGUIDE

---

ITEM	PART NUMBER	QTY	DESCRIPTION COMMENTS	TECHNICAL SPECIFICATION
1	CH165-5975	2	SWITCH COVER PLUG OPENING	

509699D1-5-Y069

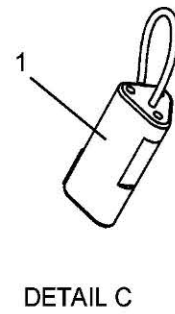
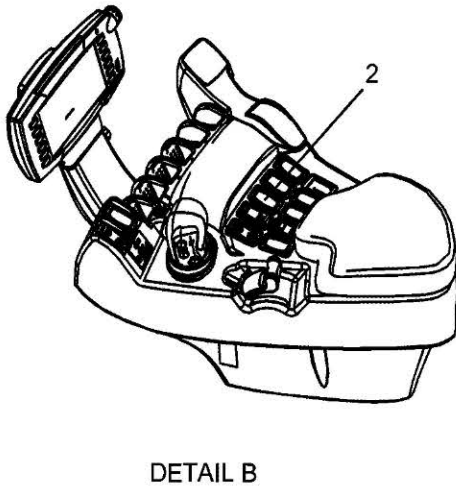
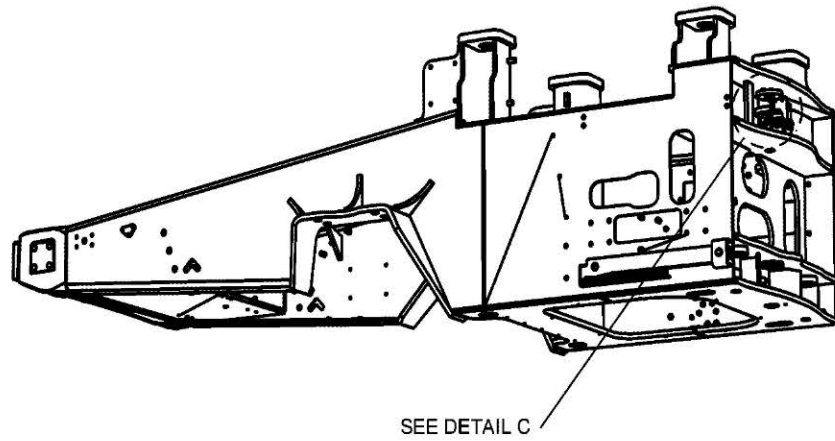
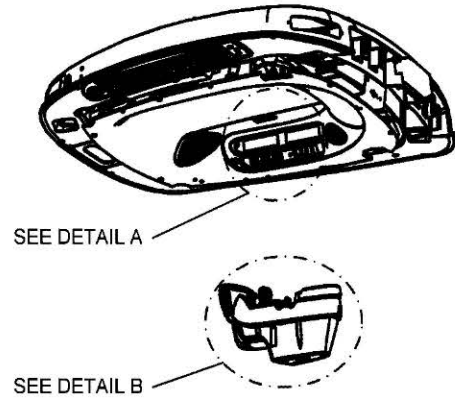
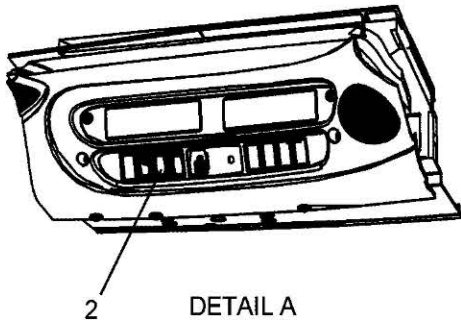


**509699D1 - GROUND SPEED SENSOR**

---

ITEM	PART NUMBER	QTY	DESCRIPTION COMMENTS	TECHNICAL SPECIFICATION
1	401889X1	3	VIBRATION MOUNT GROUND SPEED SENSOR	
2	402391X1	3	LOCKNUT	1/4"-20
3	400782X1	1	CONNECTOR	
4	400781X1	1	WEDGE	
5	400496X1	4	ELECTRICAL CONNECTOR 14-18 AWG CONNECTOR PIN	14-18 AWG

551066D1-1-Y368

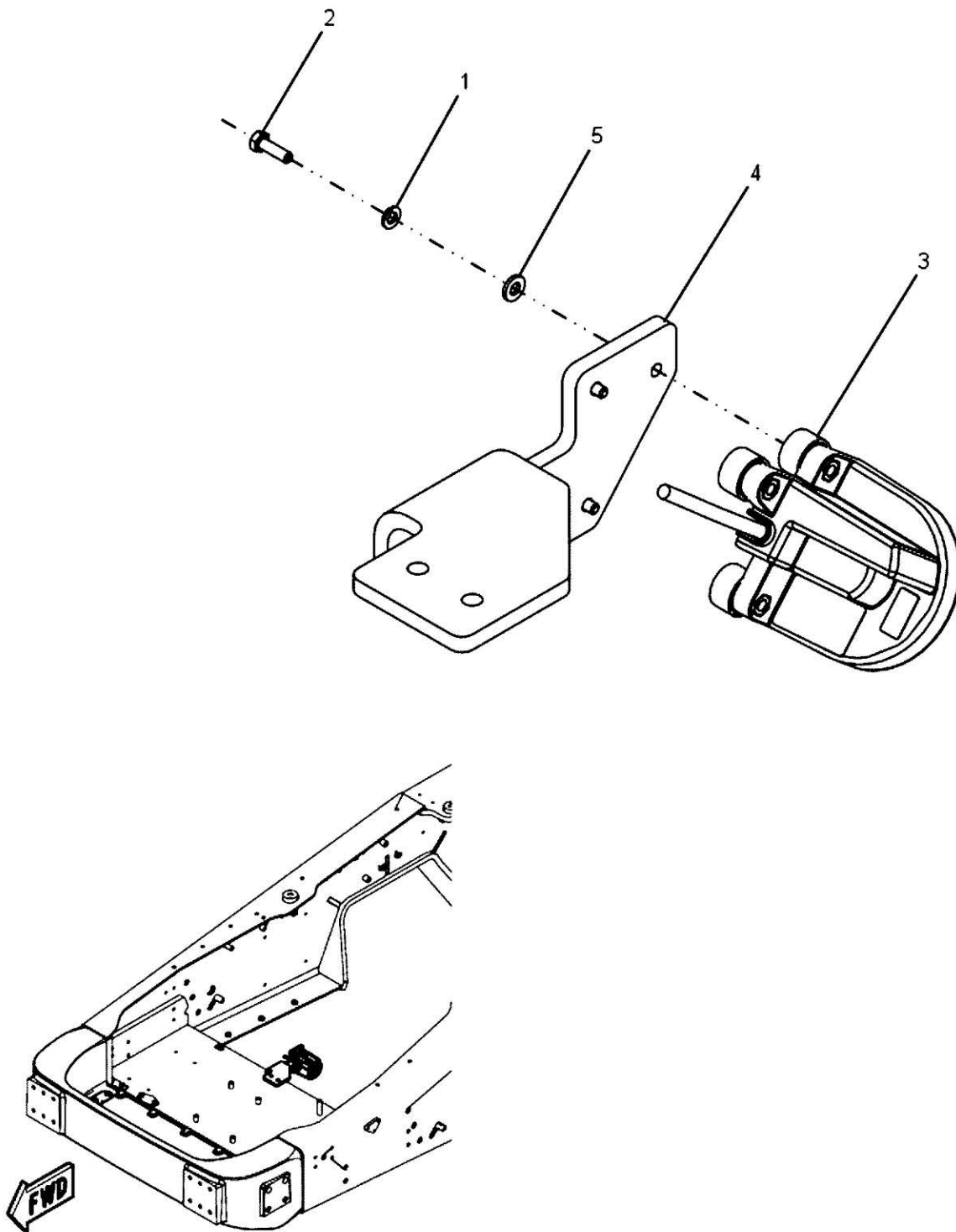


**551066D1 - PLUG GROUP - NOT AUTOGUIDE READY**

---

ITEM	PART NUMBER	QTY	DESCRIPTION COMMENTS	TECHNICAL SPECIFICATION
1	522585D1	1	JUMPER HARNESS	JUMPER ART
2	NS	1	NON-SERVICEABLE PART SEE PAGE 17-0020	

578263D1-1-

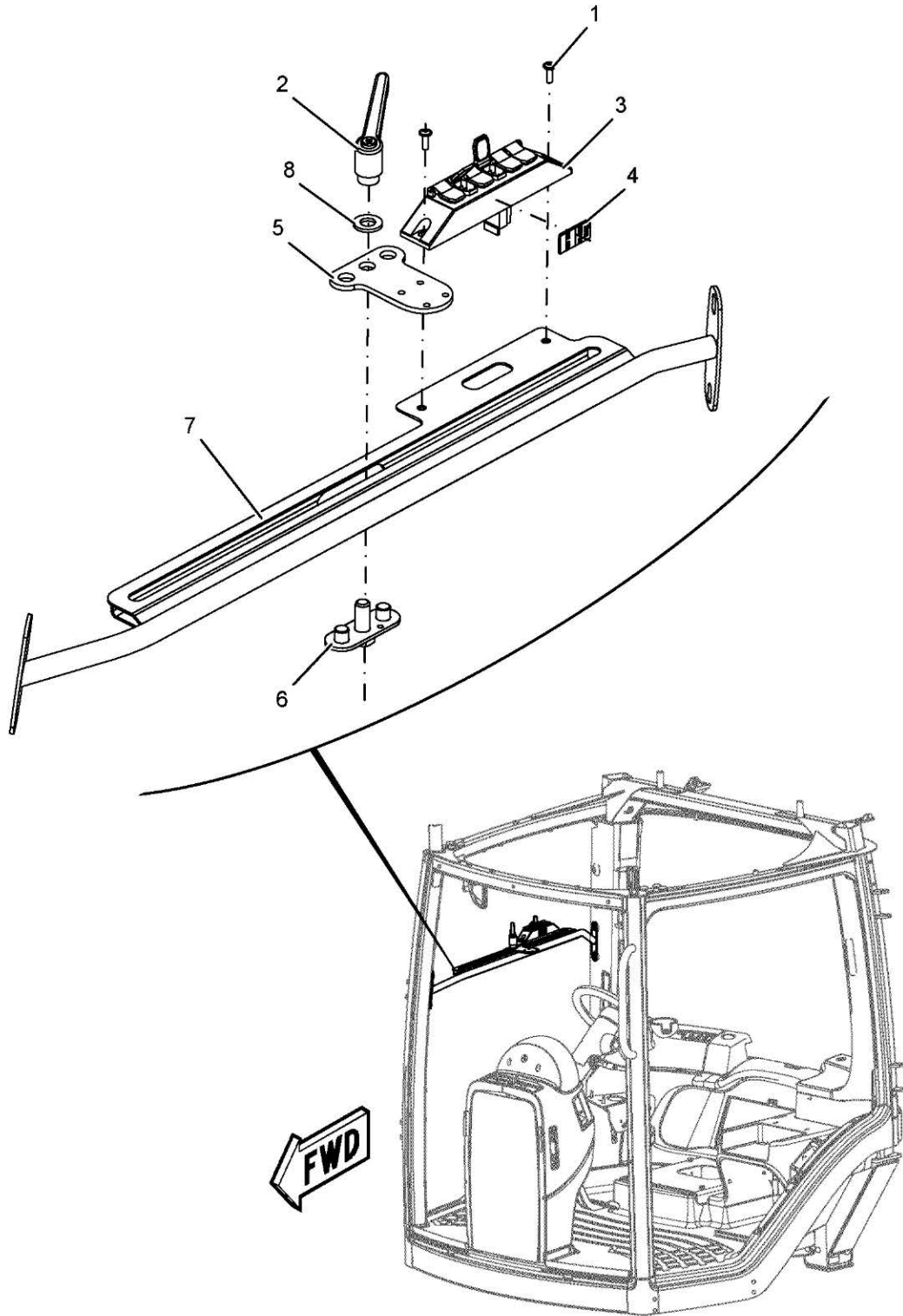


**578263D1 - RADAR GROUP, GROUND SPEED SENSOR**

---

ITEM	PART NUMBER	QTY	DESCRIPTION COMMENTS	TECHNICAL SPECIFICATION
1	AG515122	3	LOCK WASHER	1/4", SS
2	400221X1	3	HEXAGONAL HEAD BOLT	M6 X 1 X 20MM, CL10.9
3	509699D1	1	GROUND SPEED SENSOR	
4	519252D2	1	BRACKET	RADAR
5	CH8T-4205	3	FLAT WASHER	7.2MM X 14.5MM X 2MM

572582D1-8-01

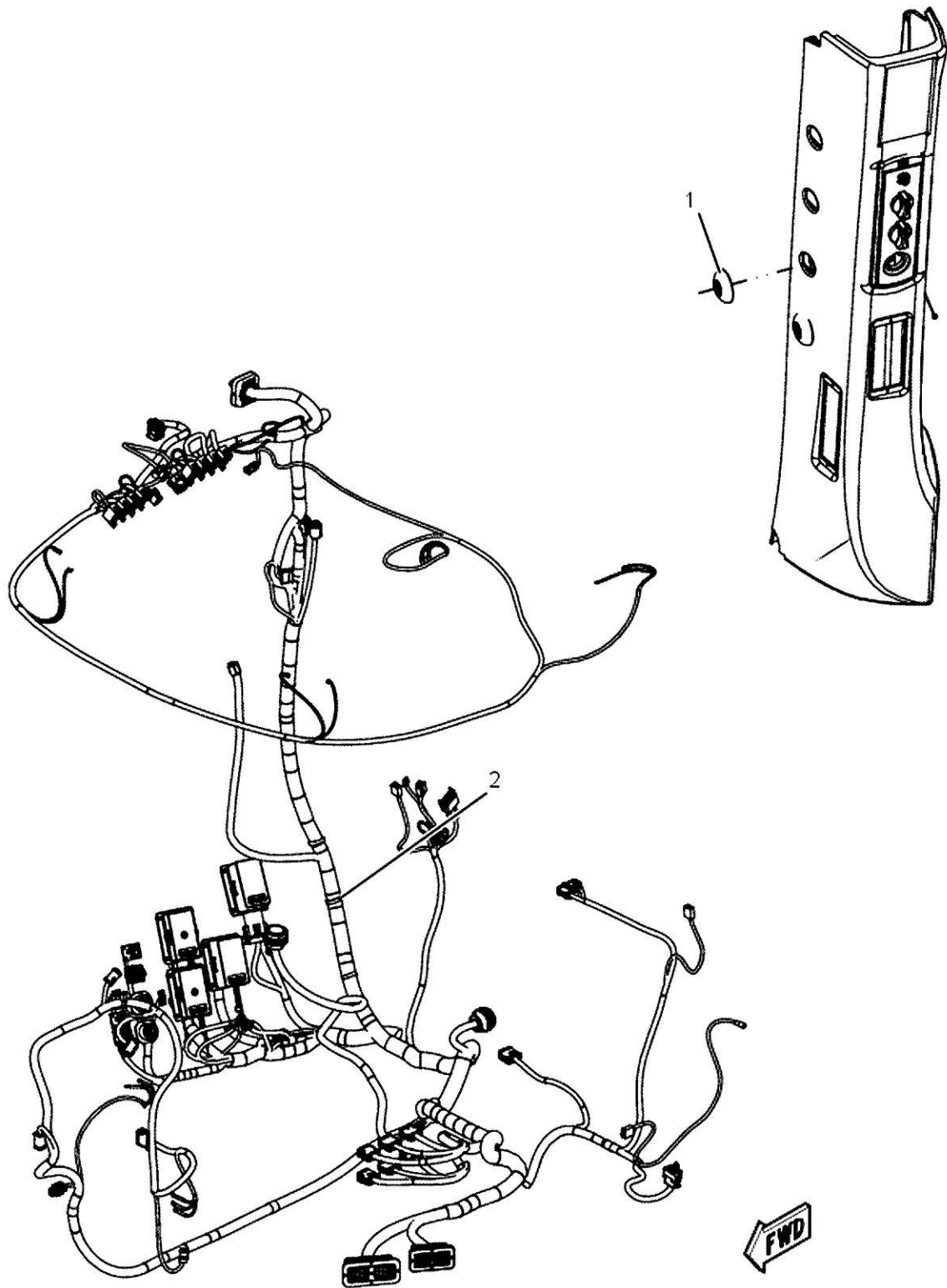


**572582D1 - MONITOR MOUNTING GROUP - 2016**

---

ITEM	PART NUMBER	QTY	DESCRIPTION COMMENTS	TECHNICAL SPECIFICATION
1	3012250X1	2	SCREW	M6 X 20 CL8.8 ZN
2	500854D1	1	ADJUSTMENT LEVER	
3	538301D1	1	ELECTRICAL OUTLET	12V DC, 30A
4	560019D1	11	INFORMATIONAL DECAL	MAX VOLT/AMP
5	572575D1	1	PLATE	
6	572578D1	1	GUIDE PLATE	
7	572581D1		TUBE ASSY	
8	CH5P-8247		FLAT WASHER	17MM ID X 32MM OD X 3.5MM

575940D1-2-



ITEM	PART NUMBER	QTY	DESCRIPTION COMMENTS	TECHNICAL SPECIFICATION
1	CH174-5789	2	PLUG	
2	402294X1	3	CABLE TIE	390MM X 7.6MM